

MULTIHEAD WEIGHER

Weigher

Multihead weigher designed to weigh a wide range of small sized products, both solid or granulated.



10 heads



14 heads



TECHNICAL FEATURES

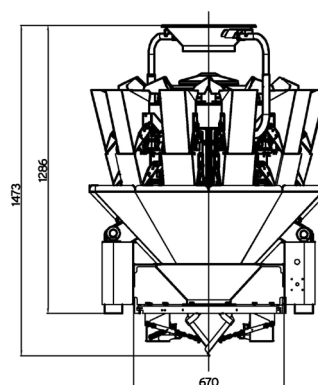
- Adjustable with operations in progress.
- 7" LCD touch-screen display with USB and SD-card ports.
- Multilingual operator interface.
- PLC type control system.
- Memory bank for programmes to reduce set-up and tooling times (up to 99 programmes).
- Production statistics available in real time (up to 1500 record).
- Machine built according to CE Standards.

	10 heads	
	L 1.6	L 2.5
Head capacity	10 - 1500 g	10 - 3000 g
Precision	± 0.1 - 1.5 g	± 0.1 - 2 g
Max speed	70 weighings/min	70 weighings/min
Hopper volume	1600 ml	2500 ml

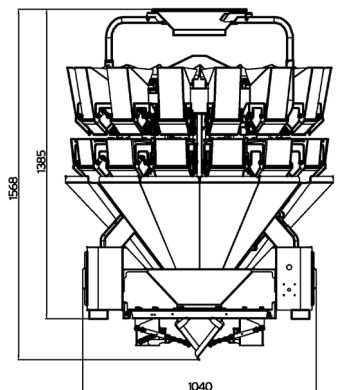
	14 heads	
	L 1.6	L 2.5
Head capacity	10 - 800 g	10 - 2000 g
Precision	± 0.1 - 1.5 g	± 0.2 - 2 g
Max speed	120 weighings/min	80 weighings/min
Hopper volume	1600 ml	2500 ml

ACCESSORIES

- Synchronous basket
- Switch
- 10" touch-screen display
- Teflon coated surfaces



10 heads



14 heads

layout

imanpack

PACKAGING & ECO SOLUTIONS

Via Lago di Bolsena, 19 36015 Schio (VI) ITALY
 Tel. +39.0445.578.811 Fax+39.0445.575.111
 www.imanpack.it email: info@imanpack.it